

ULLTRA BATTEN



APPLICATIONS

Ulltra Batten is a versatile architectural facade system suitable for use in residential, commercial and industrial environments. Its genius resides within its simplicity.

Whether horizontally or vertically aligned, with its clean lines and contemporary look, Ulltra Batten will bring a sophisticated and aesthetic impression to any architectural environment.

Ulltra Batten comes in two different widths, 25mm and 50mm. A selection of various height options are available to choose from.

Ulltra Batten uses a simple 'snap in' locking system to aid the installation. Simply mount the batten inner then firmly snap on the batten outer until a 'click' is heard.

MATERIALS

Ulltra Batten architectural battens are extruded from 6063 - T6 premium grade aluminium alloy. High corrosion resistance and weatherability, perfect for commercial applications. Standard Stock Length: 6.5 metres.

CREATIVITY

With a wide range of Wood Grain and Powder Coating finishes and varying size options available, Ulltra Batten allows designers to realise their creative vision and bring their creations to life.

In the past such freedom could only be achieved with apprehension, resulting in inconsistency due to the nature of custom manufacturing.

With Ulltra Batten's standard sizes and modularity, it allows Wintec Systems to supply an accurate and consistent architectural batten system.

WINTEC DIRECTORY

NEW SOUTH WALES

Sydney:
185-187 Woodpark Road
Smithfield, NSW, 2164
+61 (2) 8787 7400

Sydney South:
15 Blackmore Road
Smeaton Grange, NSW, 2567
+61 (2) 4646 2200

Newcastle:
6 Steel River Boulevard
Mayfield West, NSW, 2304
+61 (2) 4949 2600

Kurri Kurri:
HEZ Extrusion Plant
Lot 1, Bromage Road
HEZ Industrial Estate
Kurri Kurri, NSW, 2327
+61 (2) 4937 4700

Bathurst:
10 Bradwardine Road
Robin Hill, NSW, 2795
+61 (2) 6339 8900

Albury-Wodonga:
28 Fallon Street
Albury, NSW, 2640
+61 (2) 6040 9800

Coffs Harbour:
13 Cook Drive, Coffs
Harbour, NSW, 2450
+61 (2) 6690 2400

QUEENSLAND

Wide Bay:
48b Lower Mountain Road
Dundowran, QLD, 4655
+61 (7) 4196 9000

Rockhampton:
103 Stanley Street
Rockhampton, QLD, 4700
+61 (7) 4923 8600

Mackay:
105-111 Maggiolo drive
Paget, QLD, 4740
+61 (7) 4952 4157

Townsville:
5 Whitehouse Street
Garbutt, QLD, 4814
+61 (7) 4720 7100

Cairns:
16 Spoto Street
Woree, QLD, 4868
+61 (7) 4252 3200

VICTORIA

Melbourne:
893 Princess Highway
Springvale, VIC, 3171
+61 (3) 9567 7200

SOUTH EAST QUEENSLAND

Brisbane:
20 Ron Boyle Crescent
Carole Park, QLD, 4300
+61 (7) 3718 1400

Gold Coast:
24 Township Drive
West Burleigh, QLD, 4219
+61 (7) 5586 1500

Banyo
40 Buchanan Road
Banyo, QLD, 4014
+61 (7) 3335 6700

Caloundra:
37 Enterprise Street
Caloundra, QLD, 4551
+61 (7) 5390 7600

ACT REGION

Canberra:
12 Sawmill Circuit
Hume, ACT, 2620
+61 (2) 6243 9700

WESTERN AUSTRALIA

Perth:
17 King Street
Bays water, WA, 6053
+61 (8) 9473 4700

Bunbury:
33 Clifford Street
Halifax, WA, 6230
+61 (8) 9725 9900

TASMANIA

Hobart:
123 Albert Rd
Moonah, TAS, 7009
+61 (3) 6278 0000

Launceston:
86 Invermay Road
Launceston, TAS, 7250
+61 (3) 6327 8600

SOUTH AUSTRALIA

Adelaide:
57 Diagonal Road,
Pooraka, SA, 5095
+61 (8) 8300 2500

NORTHERN TERRITORY

Darwin
114 Reichardt Road
Winnellie, NT, 0820
+61 (8) 6243 9700



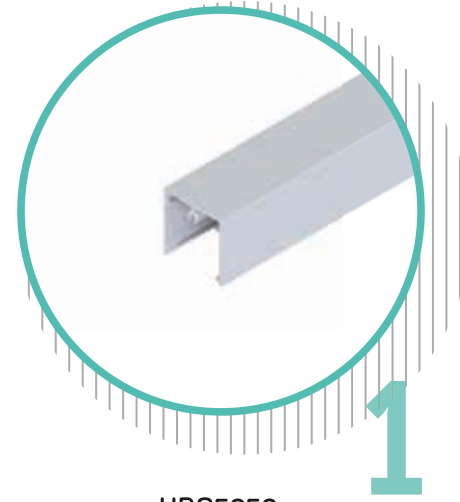
PRODUCT
BROCHURE

UBPB-V1



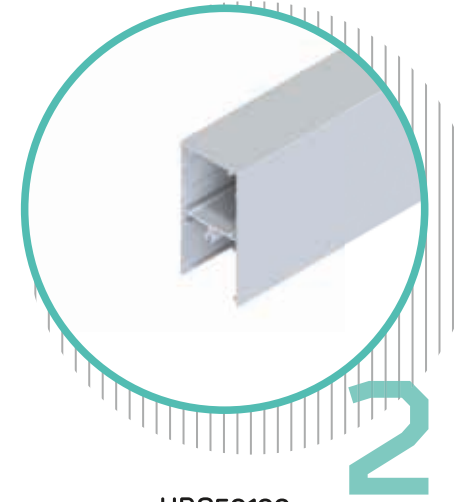
ULLTRA BATTEN

OUTER EXTRUSIONS



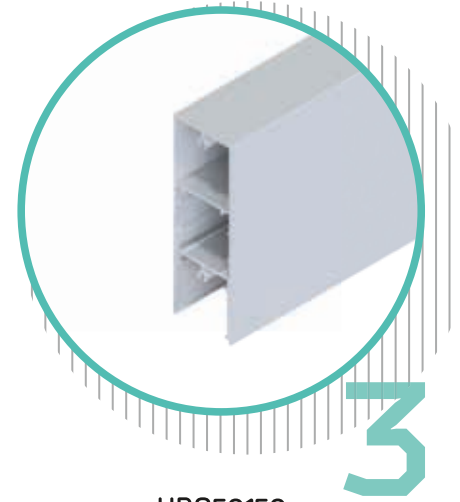
1

UBO5050
50mm x 50mm Batten Outer
AP = 364mm | PP = 159mm



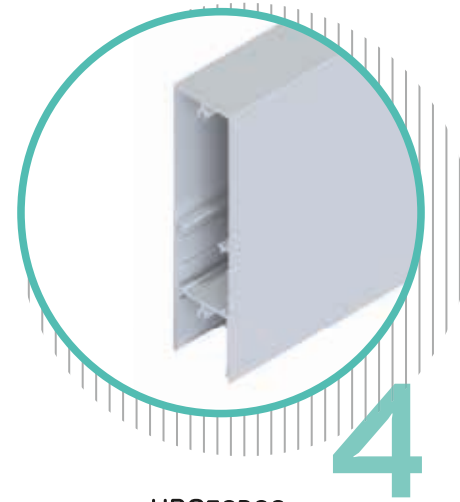
2

UBO50100
50mm x 100mm Batten Outer
AP = 464mm | PP = 254mm



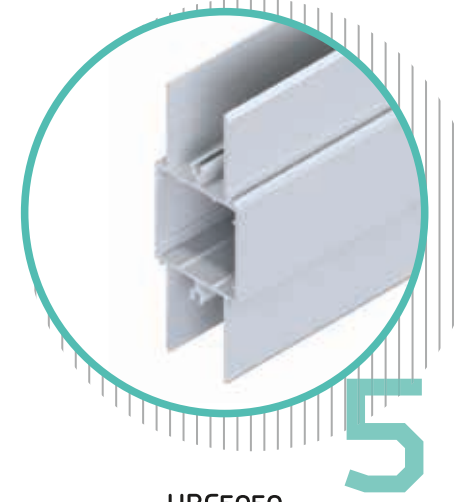
3

UBO50150
50mm x 150mm Batten Outer
AP = 552mm | PP = 354mm



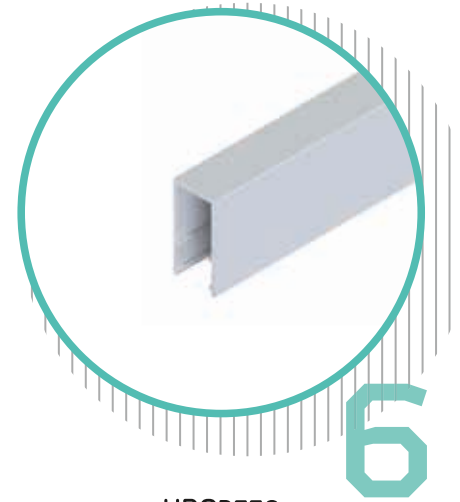
4

UBO50200
50mm x 200mm Batten Outer
AP = 650mm | PP = 454mm



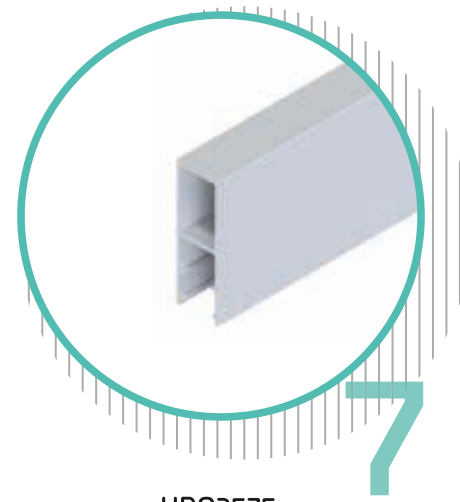
5

UBC5050
50mm x 50mm Batten Coupler
AP = 654mm | PP = 101mm



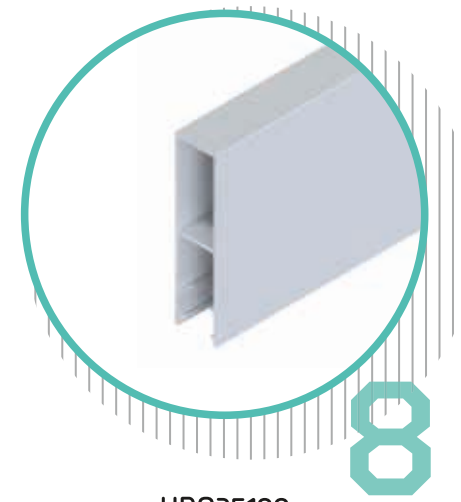
6

UBO2550
25mm x 50mm Batten Outer
AP = 261mm | PP = 129mm



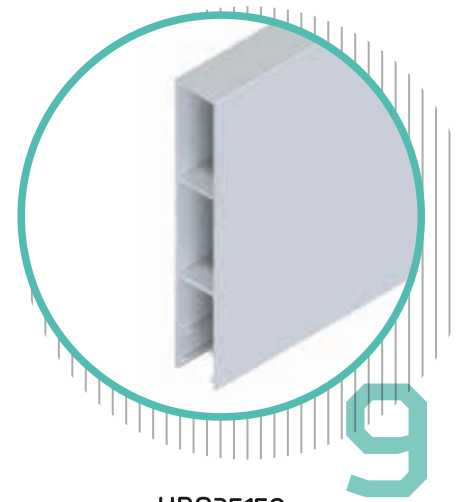
7

UBO2575
25mm x 75mm Batten Outer
AP = 288mm | PP = 179mm



8

UBO25100
25mm x 100mm Batten Outer
AP = 361mm | PP = 229mm



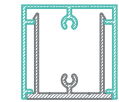
9

UBO25150
25mm x 150mm Batten Outer
AP = 461mm | PP = 329mm

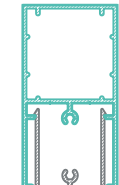
WINTEC SYSTEMS

ARCHITECTURAL BATTENS

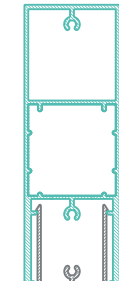
Ultra Batten Batten uses a simple 'snap in' locking system to aid in installation. Simply mount the batten inner then snap on the batten outer until a 'click' is heard



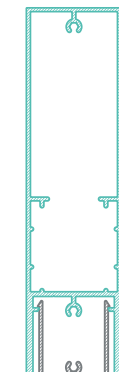
BATTEN OUTER
50mm x 50mm
UBO5050



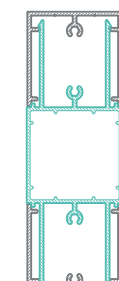
BATTEN OUTER
50mm x 100mm
UBO50100



BATTEN OUTER
50mm x 150mm
UBO50150



BATTEN OUTER
50mm x 200mm
UBO50200



BATTEN COUPLER
50mm x 50mm
UBC5050
**Maximum Width
150mm - 450mm



ENDCAP
50mm x 50mm
UBEC5050



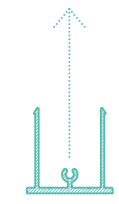
ENDCAP
50mm x 100mm
UBEC50100



ENDCAP
50mm x 150mm
UBEC50150



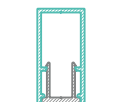
ENDCAP
50mm x 200mm
UBEC50200



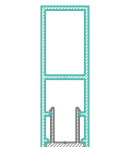
BATTEN INNER
50mm x 50mm
UBI5050



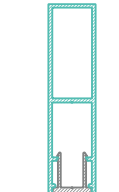
CORNER SPIGOT
50mm
UBCS5042



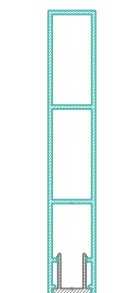
BATTEN OUTER
25mm x 50mm
UBO2550



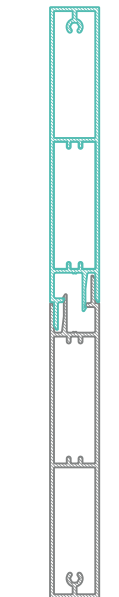
BATTEN OUTER
25mm x 75mm
UBO2575



BATTEN OUTER
25mm x 100mm
UBO25100



BATTEN OUTER
25mm x 150mm
UBO25150



SELF-MATING
25mm x 150mm
UBS25150



ENDCAP
25mm x 50mm
UBEC2550



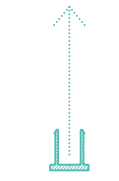
ENDCAP
25mm x 75mm
UBEC2575



ENDCAP
25mm x 100mm
UBEC25100

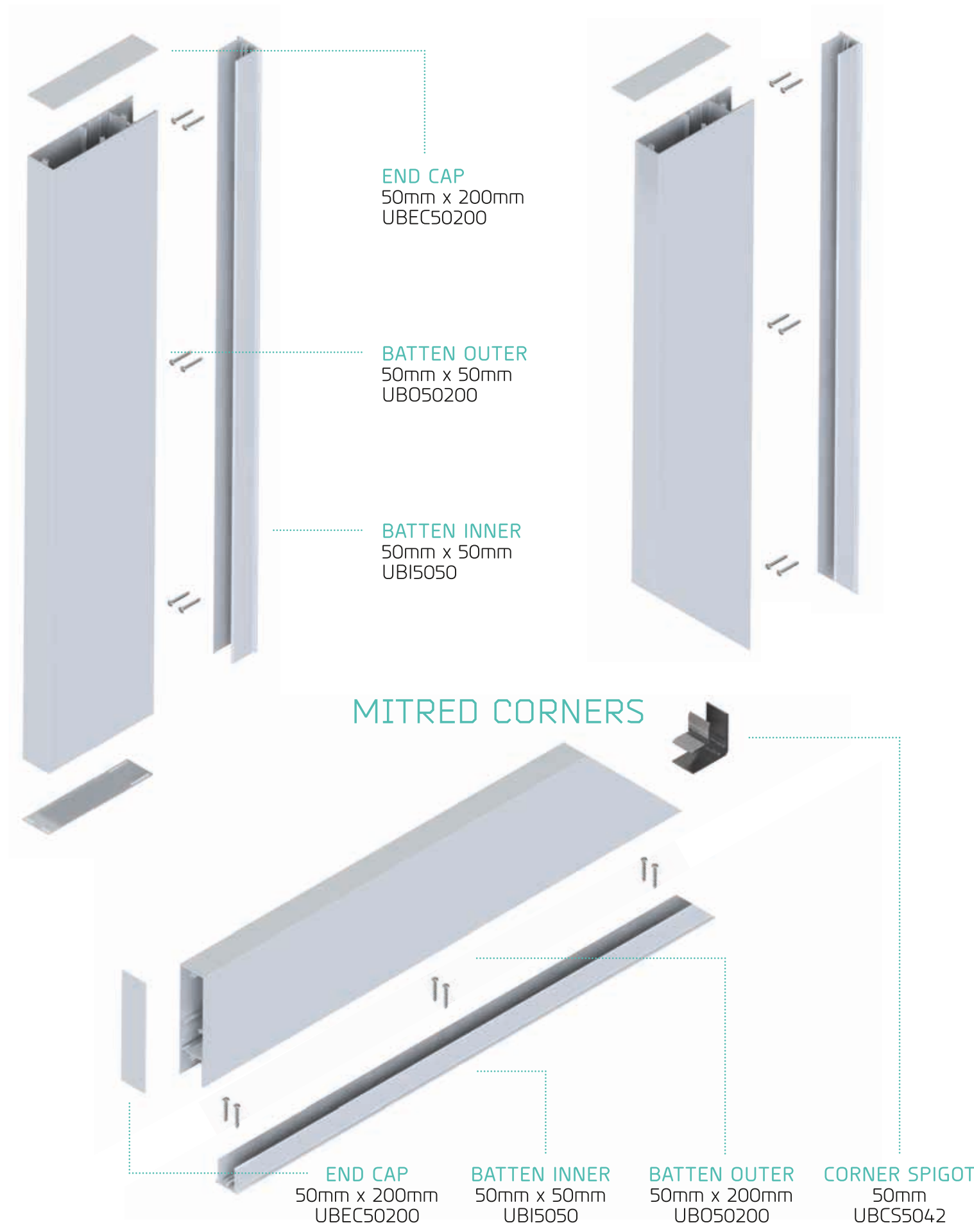


ENDCAP
25mm x 150mm
UBEC25150



BATTEN INNER
25mm x 50mm
UBI2550

ULLTRA BATTEN ASSEMBLY



50mm x 200mm Batten system displayed for illustrative purposes only.