

JARVIS 125

LOUVRE WINDOW



FEATURES AND BENEFITS OF THE JARVIS LOUVRE WINDOW INCLUDE:

The Jarvis louvre window design allows for multiple banks of louvres within the same perimeter frame.

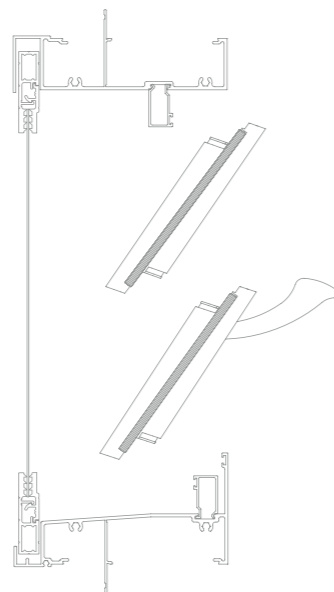
It accommodates glass, aluminium or timber blades and features a built-in insect or security screen track.

This is an excellent product for ventilation.

Available operating systems include: remote control, handle locking bars, and manual operation.

The Jarvis Louvre can be coupled with various other Wintec Systems products.

Frame widths available: 125mm.



125mm FRAME

PERFORMANCE

STRUCTURAL PERFORMANCE (UP TO)

- + Serviceability Limit State Wind Pressure: 1800Pa max
- + Ultimate Limit State Wind Pressure: 3000Pa max
- + Water Penetration Resistance Pressure: 200Pa max

MAXIMUM RECOMMENDED SIZE (UP TO)

- + Height: 2700mm
- + Width: 900mm (sash width)

GLAZING THICKNESS

- + Single Glazed: 6mm

TEST REPORT SUMMARY - LOUVRE WINDOW 2185 X 752 L

TEST 0186 Performed 16th May 2018

Construction	
Head	WALW171
Sill	WALW170
Jamb	WALW172
Bead	WAAW134
Seals	SC31 Top and Bottom Beads
Glass	6mm Float Louvre Blades
Gallery	Breezeway Altair Louvre Gallery

TEST	RESULTS	HOUSING SUITABILITY	
		General	Corner
Deflection	N/A	N/A	N/A
Operating Force	N/A		
Air Infiltration	HIGH		
		Non-Exposed	Exposed
Water Penetration Resistance	200Pa	N4/C2	C2
Ultimate Strength		General	Corner
Positive	2833Pa	N4/C2	N3/C1
Negative	2727Pa		

*note: For further details, please refer to the complete test report.

CONFIGURATIONS - VIEW FROM OUTSIDE

